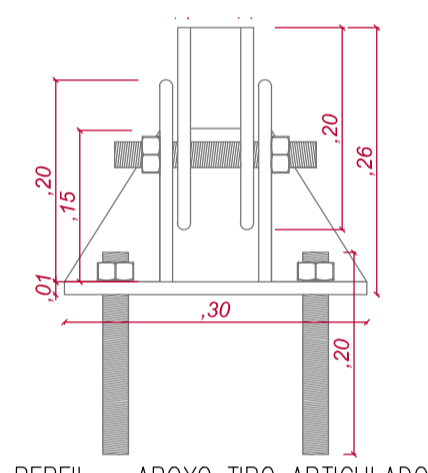
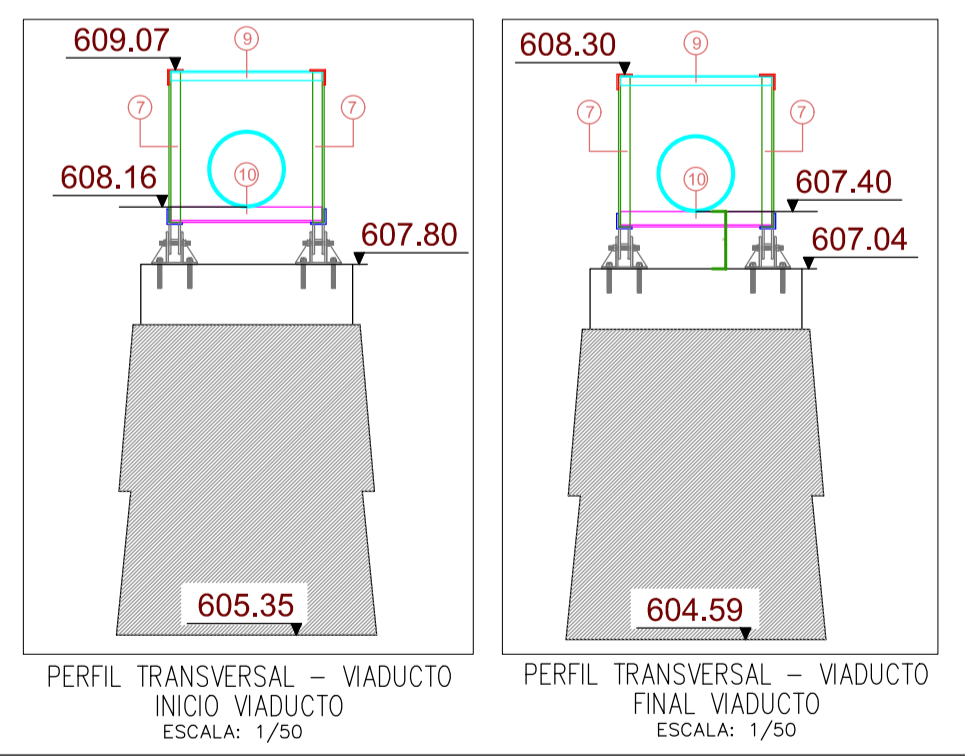


PLANTA - APOYO TIPO ARTICULADO
ESCALA: 1/7.5



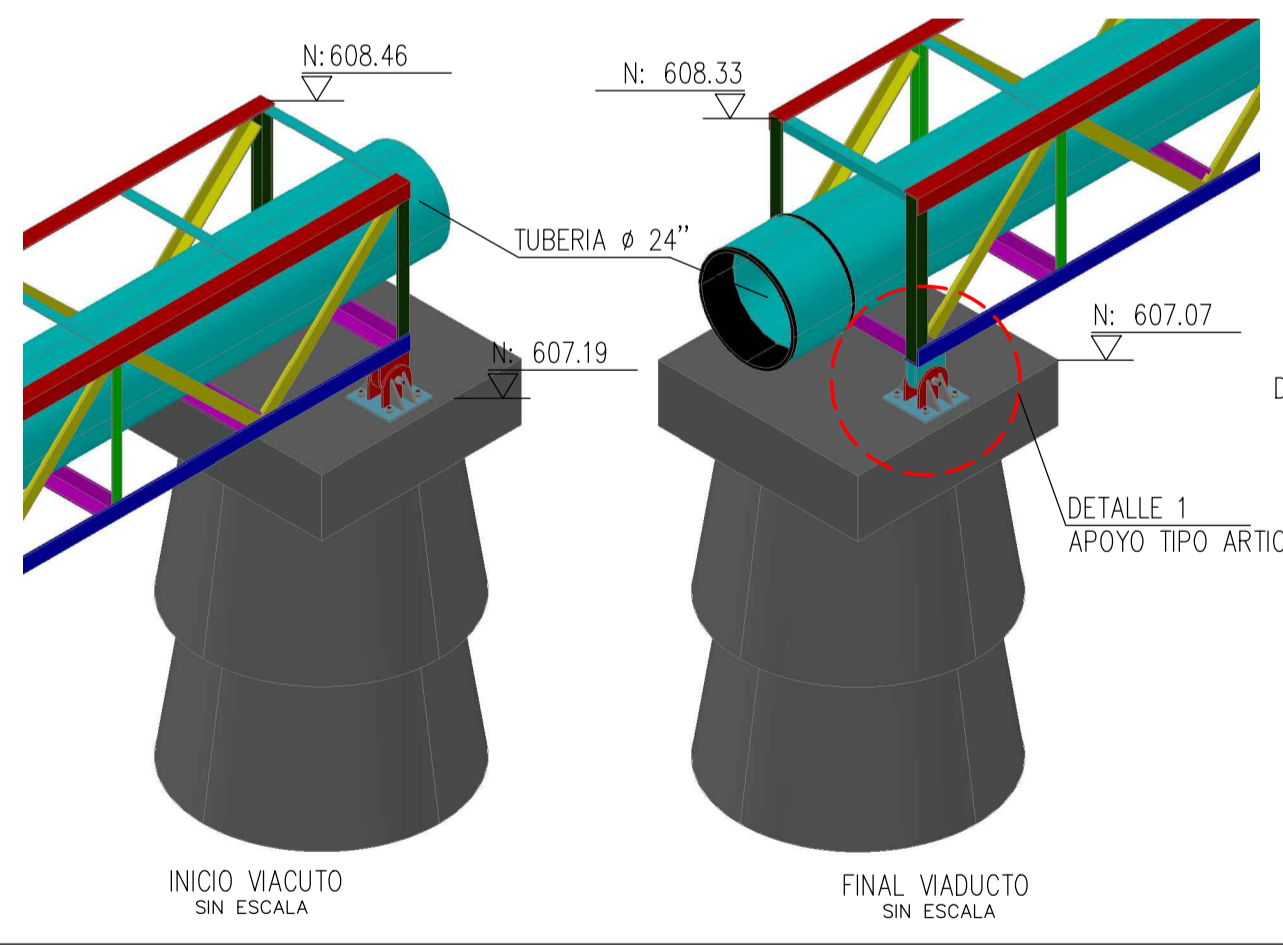
PERFIL - APOYO TIPO ARTICULADO
ESCALA: 1/7.5

| DESPIECE VIADUCTO | | | | | | | |
|-------------------|------------|----------------|------|----------|----------|---------|---------|
| SECCIÓN | No. | FORMA | Ø | LONGITUD | CANTIDAD | PESO U. | PESO T. |
| | | | | | | | |
| CORDON SUPERIOR | 1 | L4xL4x3/8" | 6.00 | 4 | 14.58 | 350 | |
| | 2 | L4xL4x3/8" | 3.52 | 4 | 14.58 | 205 | |
| | 3 | L4xL4x1/2" | 6.00 | 2 | 19.05 | 229 | |
| CORDON INFERIOR | 4 | L4xL4x1/2" | 6.00 | 4 | 19.05 | 457 | |
| | 5 | L3xL3x3/8" | 6.00 | 4 | 10.72 | 257 | |
| MONTANES | 6 | L3xL3x3/8" | 1.05 | 2 | 10.72 | 23 | |
| | 7 | L3xL3x1/2" | 1.00 | 4 | 13.99 | 56 | |
| TRANS SUPERIOR | 8 | L2.5xL2.5x3/8" | 1.00 | 24 | 8.78 | 211 | |
| | 9 | L2.5xL2.5x3/8" | 1.00 | 26 | 8.78 | 228 | |
| TRANS INFERIOR | 10 | L4xL4x1/2" | 1.00 | 20 | 19.05 | 381 | |
| | 11 | L2.5xL2.5x3/8" | 1.00 | 6 | 8.78 | 97 | |
| DIAGONALES | 12 | L3xL3x3/8" | 1.25 | 10 | 10.72 | 134 | |
| | 13 | L3xL3x3/8" | 1.29 | 12 | 10.72 | 166 | |
| | 14 | L2.5xL2.5x3/8" | 1.27 | 14 | 8.78 | 156 | |
| | 15 | L2.5xL2.5x3/8" | 1.30 | 12 | 8.78 | 137 | |
| | TOTAL [KG] | | | | | | 3113 |



PERFIL TRANSVERSAL - VIADUCTO INICIO VIADUCTO
ESCALA: 1/50

PERFIL TRANSVERSAL - VIADUCTO FINAL VIADUCTO
ESCALA: 1/50

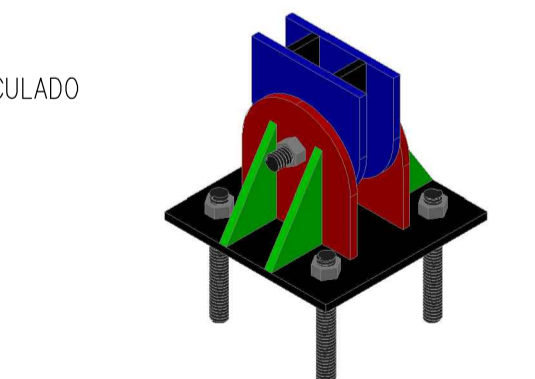


INICIO VIADUCTO
SIN ESCALA

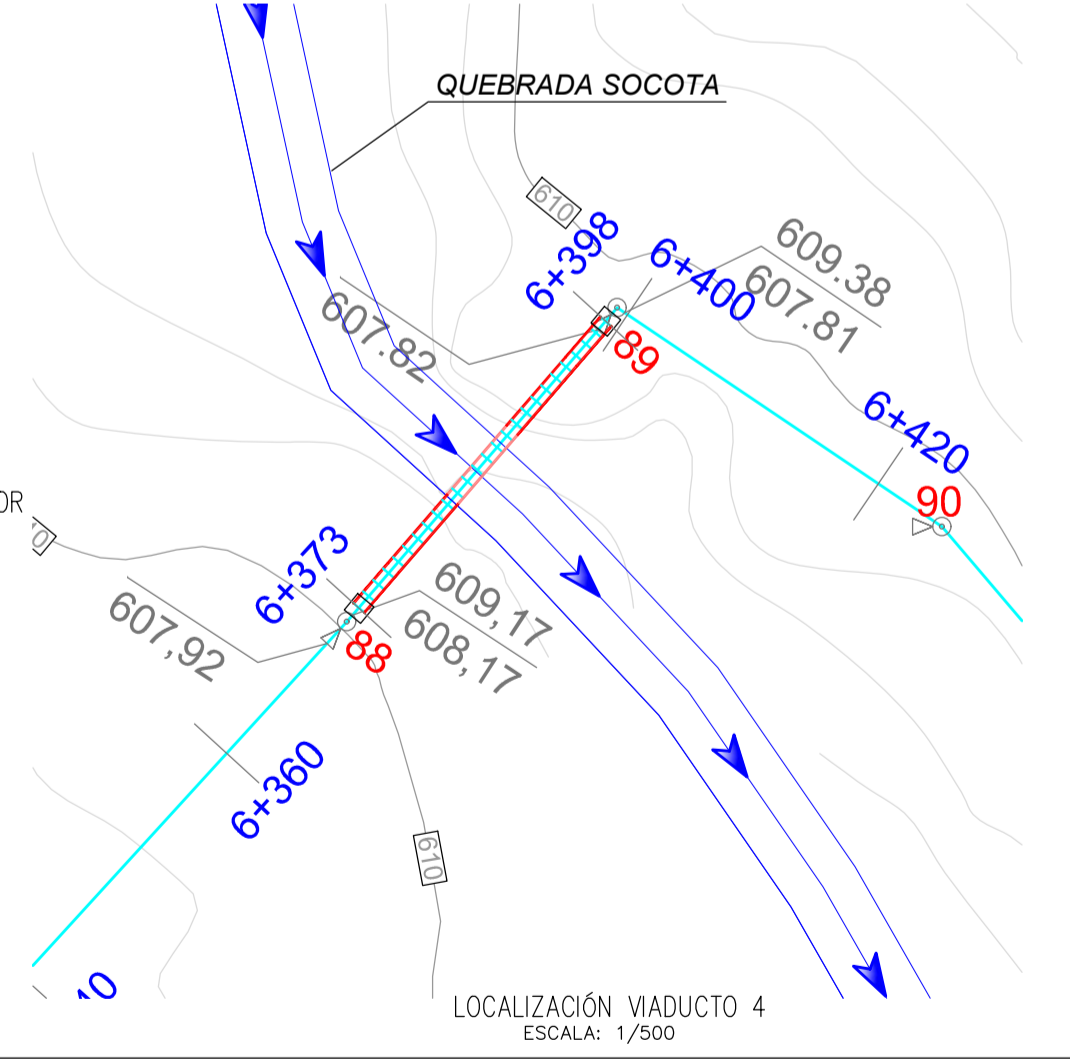
FINAL VIADUCTO
SIN ESCALA



DETALLE 2 - UNIÓN DE PLATINO CORDON SUPERIOR
SIN ESCALA



DETALLE 1 - APOYO TIPO ARTICULADO
ESCALA: 1/10



LOCALIZACIÓN VIADUCTO 4
ESCALA: 1/500